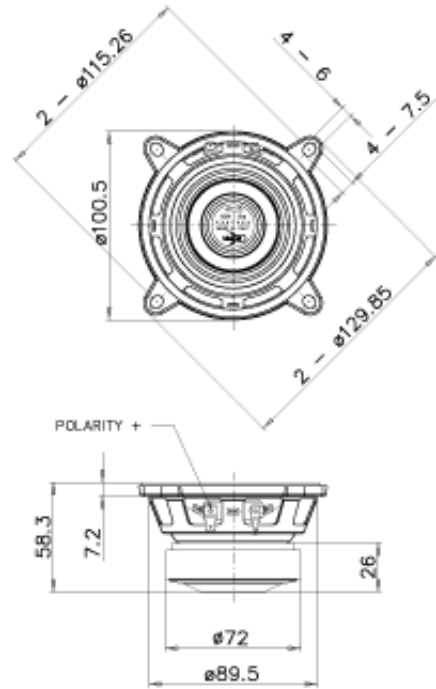




4FE35 Fe Series



NOMINAL SPECIFICATIONS

Nominal Diameter	100 mm (4 in)
Overall Diameter	128.85/100.5 mm (5.11/3.96 in)
Bolt Circle Diameter	115.26 mm (4.54 in)
Baffle Cutout Diameter	91.5 mm (3.60 in)
Depth	58.3 mm (2.30 in)
Flange and Gasket Thickness	7.2 mm (0.28 in)
Net Weight	570 g (1.26 lb)
Shipping Box	225x225x150 mm (8.86x8.86x5.91 in)
(Single Carton Box - 8 units)	
Shipping Weight (8 units)	5 Kg (11.02 lb)

ELECTRICAL SPECIFICATION

Nominal Impedance	8 Ohm
Minimum Impedance	7.2 Ohm
AES Power Handling *	30 W
Maximum Power Handling **	60 W
Sensitivity (1W/1m)	91 dB
Frequency Range	90-20000 Hz
Voice Coil Diameter	19 mm (0.75 in)
Winding Material	Al
Former Material	Kapton
Winding Depth	6.8 mm (0.27 in)
Magnetic Gap Depth	4 mm (0.16 in)
Flux Density	1.5 T
Magnet	Neodymium Ring
Demodulation	No
Suspension ***	Half Roll

THIELE & SMALL PARAMETERS

Fs	100 Hz
Re	6.5 Ohm
Qes	0.9
Qms	5.5
Qts	0.8
Vas	3.4 dm ³ (0.12 ft ³)
Sd	63.62 cm ² (9.86 in ²)
Xmax ****	2.73 mm
Xdamage *****	6.8 mm
Mms	3.9 g
Bl	4.1 N/A
Le	0.25 mH
Mmd	3.6 g
Cms	0.6 mm/N
Rms	0.4 Kg/s
Eta Zero	0.39 %
EBP	111 Hz

NOTES

Packaged and sold in multiples of 8 units

Spider Profile: 1x constant height waves

(*) 2 Hours Test According to AES 2-1984 Rev. 2003

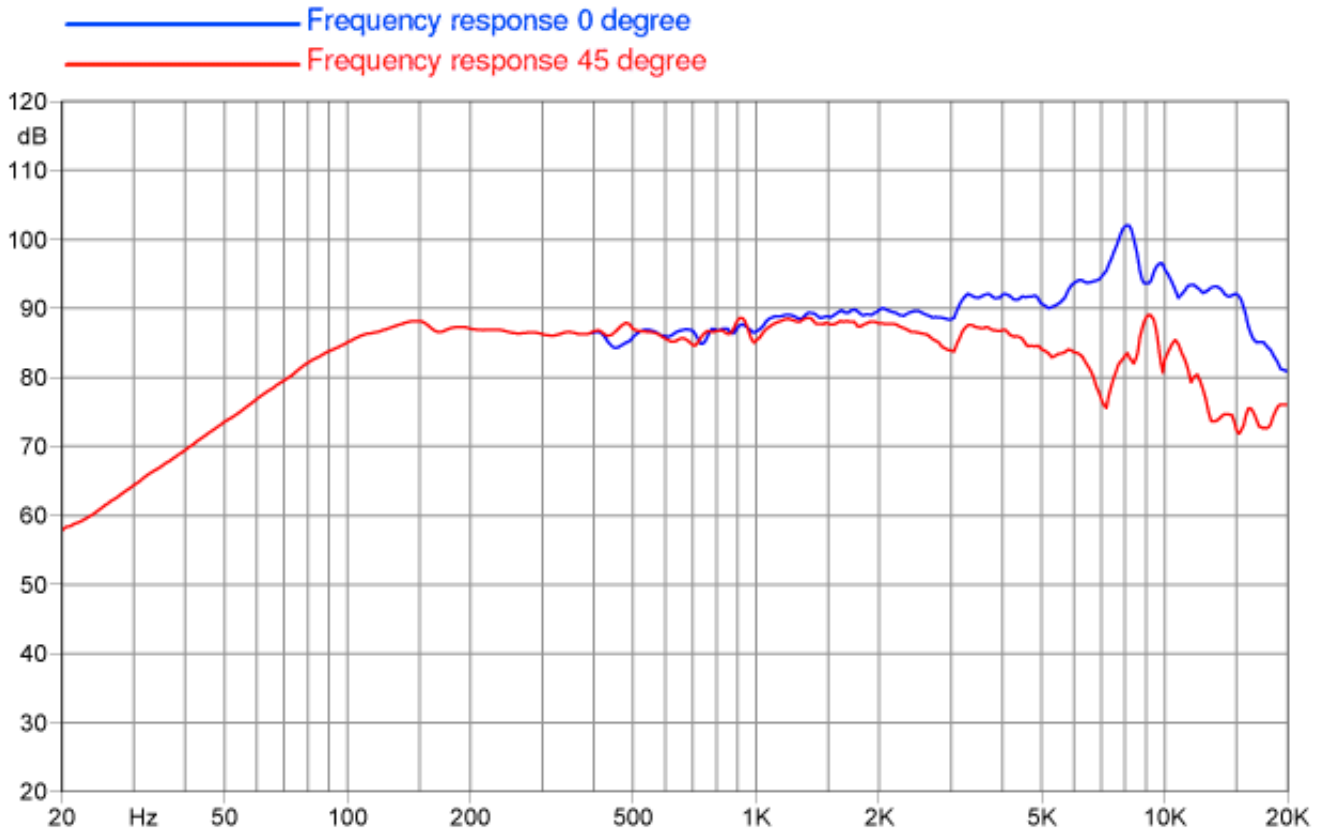
(**) Maximum power is defined as 3dB greater than nominal power.

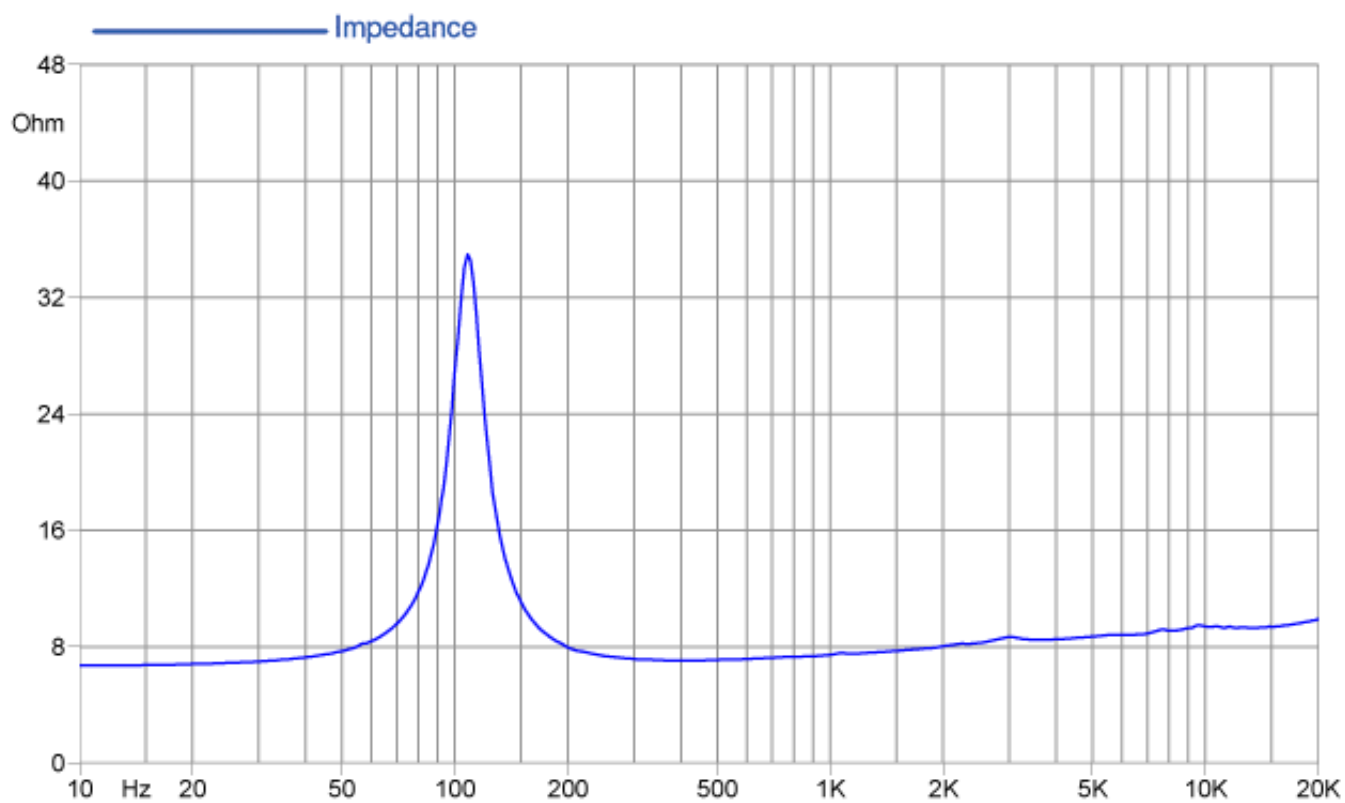
(***) NBR

(****) $X_{max} = [(winding\ depth - magnetic\ gap\ depth) / 2] + (magnetic\ gap\ depth / 3)$

(*****) Maximum excursion before permanent damage

CURVES





©Copyright 2011 - Faital S.p.A. Fabbrica Italiana Altoparlanti - All right reserved.